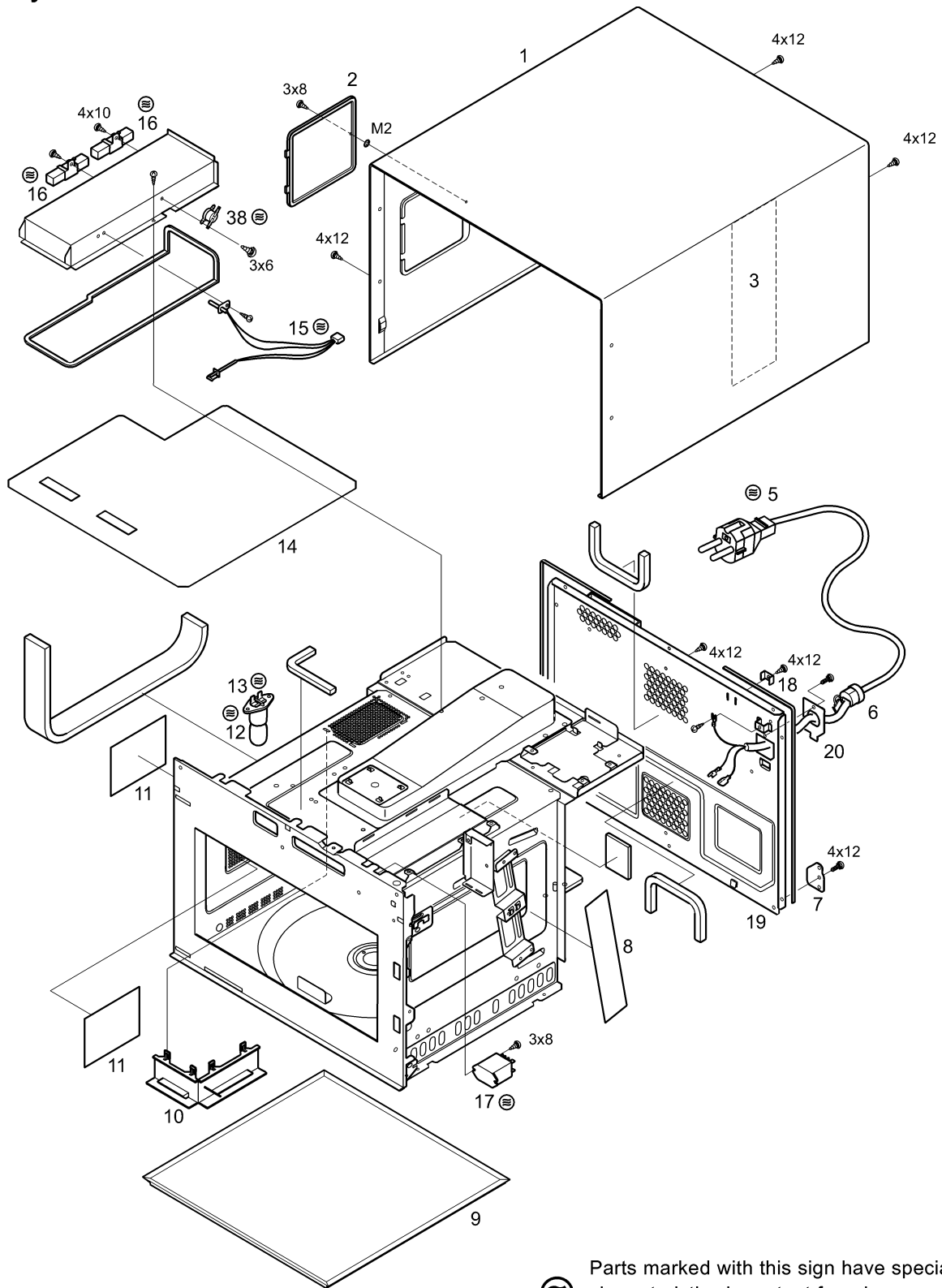

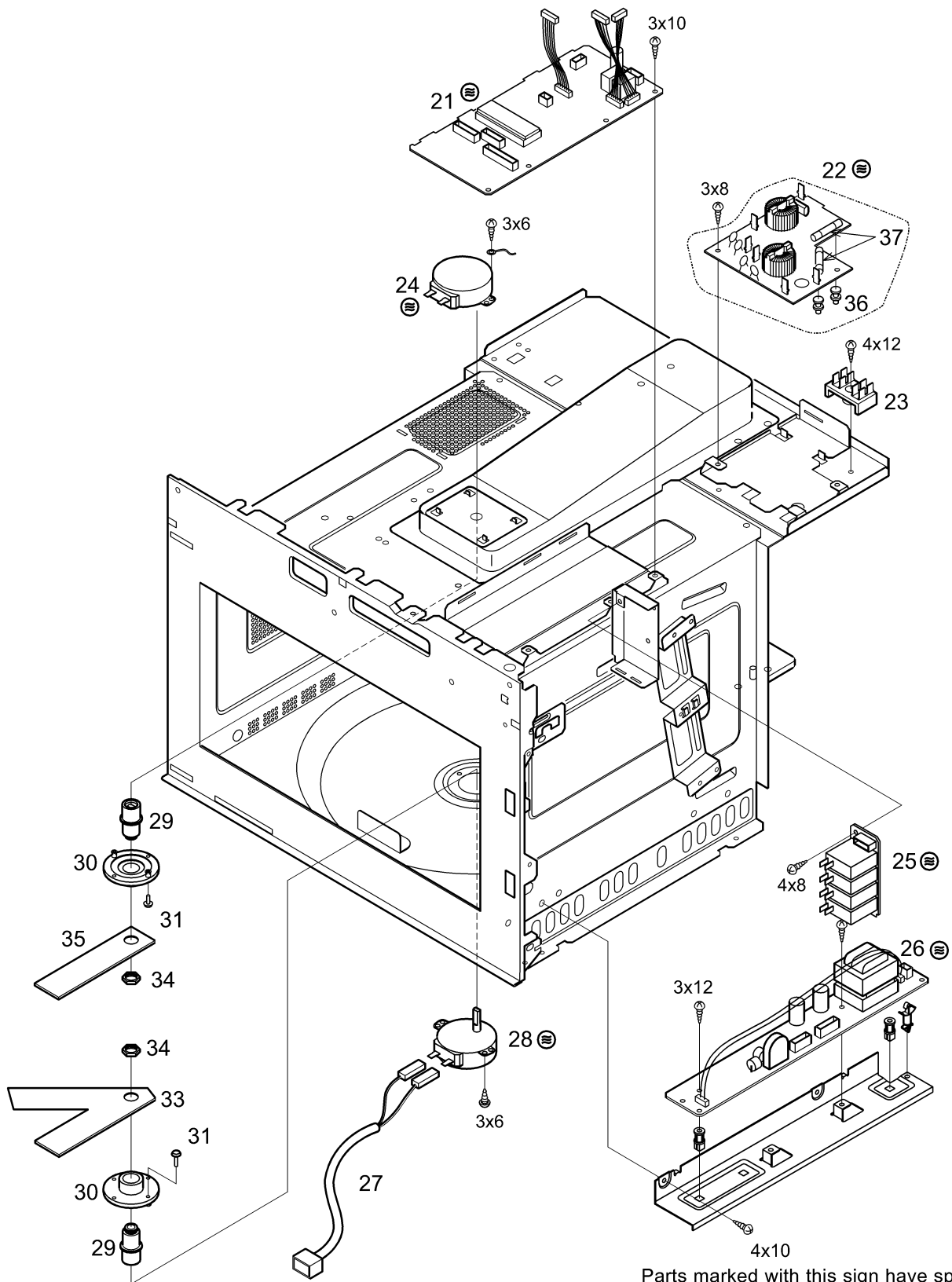


8. EXPLODED VIEW AND PARTS LIST

Main body Parts-1




 Parts marked with this sign have special characteristics important for microwave leakage. When replacing any of these parts use only manufacturers specified parts.



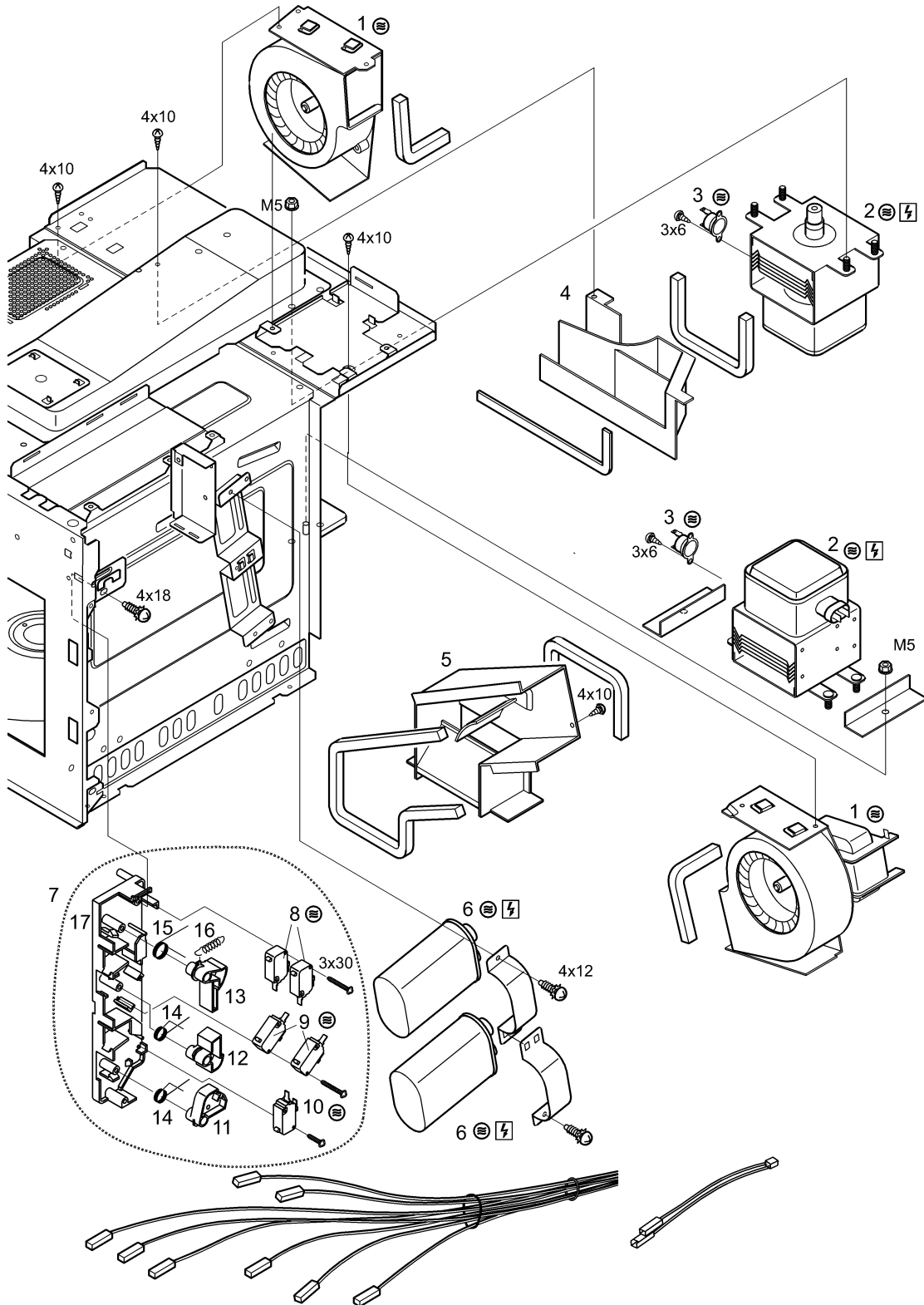
Parts marked with this sign have special characteristics important for microwave leakage. When replacing any of these parts use only manufacturers specified parts.


Main body Parts-1


EM-C1900MSD

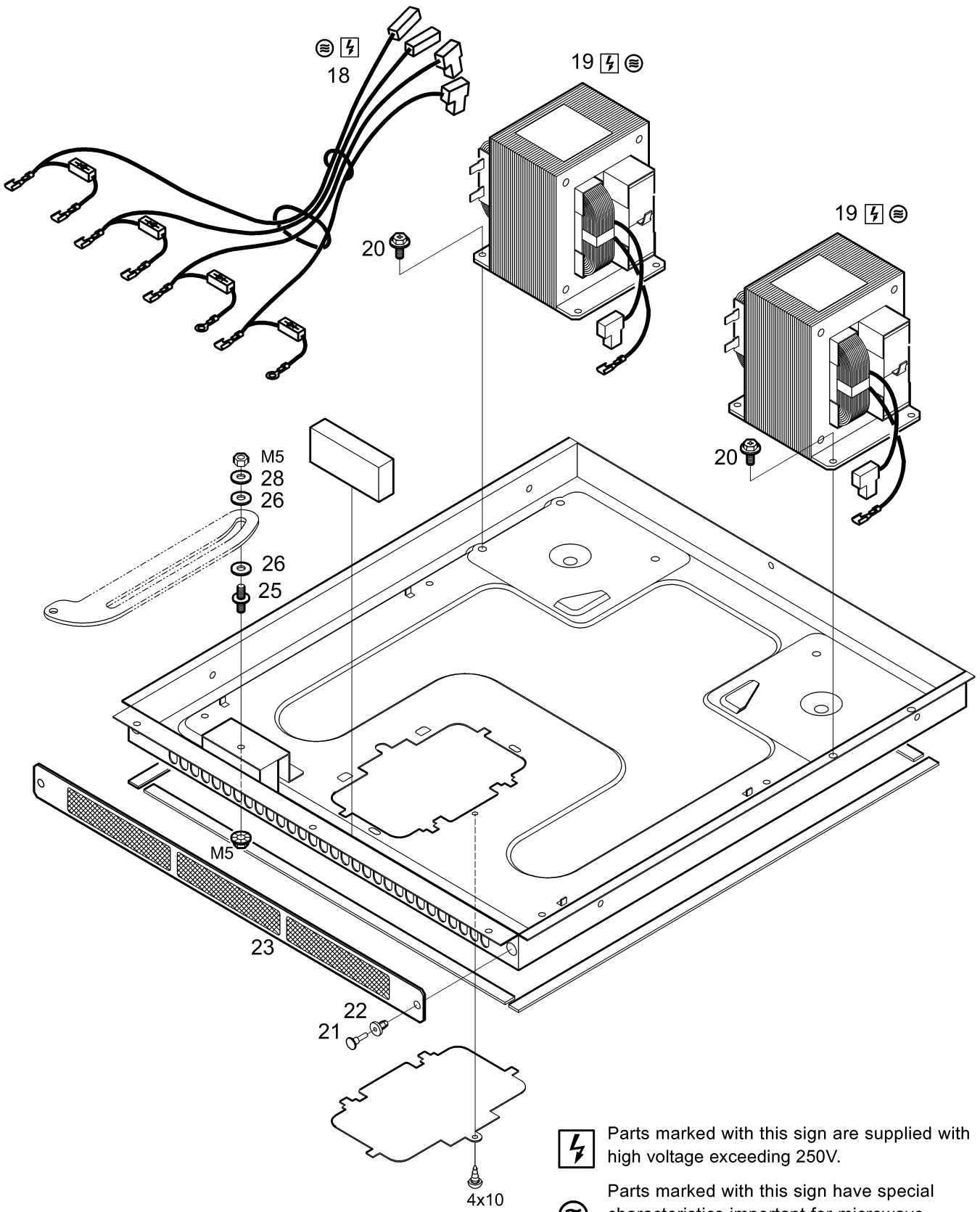
KEY No.	SERVICE PARTS	DESCRIPTION	Q'TY
1	617 120 2854	CABINET SUS430	1
2	617 055 9584	FRAME PLATE ASS'Y	1
3	617 123 9942	INSU. SHEET TO.4	1
5	617 208 1472	CORD ASS'Y.	1
6	617 180 3211	CORD BUSH	1
7	617 179 6087	FRAME B.C.T LGCC T1.2	1
8	617 202 7845	INSU. SHEET TO.4	1
9	617 120 4230	SHELF ASS'Y	1
10	617 120 4148	STIRRER GUIDE P.P	1
11	617 120 3387	LAMP OPENING COVER POLYSTER TO.1	2
12	617 238 3026	LAMP METRO 240V 25W E-14	1
13	617 077 6356	LAMP SOCKET JKUNO PA0 2A250VT150	1
14	617 271 6534	CAVITY COVER	1
15	617 267 4193	THERMISTOR ASS'Y	1
16	402 061 1505	CERAMIC RES 25 J 20W MTST ERF-20HMJ250	2
17	617 131 3789	RELAY	1
18	617 195 1295	SPECIAL WASHER BRASS T1.0 NI PLATIN	1
19	617 214 4801	FRAME REAR PLATE ASS'Y	1
20	617 140 1349	BOTTOM BRACKET LGD T1.2 60160	1
21	617 266 5122	P.C.B COMP. CONTROL	1
22	617 208 1403	P.C.B COMP. NOISE FILTER(+FUSE)	1
23	617 192 2110	TERMINAL PLATE CB-70921	1
24	617 224 4006	GEAR MOTOR,UPPER MT-8	1
25	617 202 0150	P.C.B COMP. RELAY	1
26	617 214 1619	P.C.B COMP. POWER	1
27	617 130 4879	HARNESS	1
28	617 209 9422	GEAR MOTOR,LOWER M2CJ29AA49-H UL	1
29	617 120 3325	ANTENNA SHAFT AL	2
30	617 212 8535	ANTENNA BEARING PFA	2
31	617 121 9265	CLIP	4
33	617 149 3054	ANTENNA,LOWER	1
34	617 120 3349	SPECIAL NUT AL	1
35	617 120 3332	ANTENNA,UPPER AL	1
36	617 207 6836	CLIP MPS-04-0,NF	2
37	423 018 7609	FUSE 250V 10A	2
38	617 140 1264	THERMOSTAT NGT 140C	1

Main body Parts-2



 Parts marked with this sign are supplied with high voltage exceeding 250V.

 Parts marked with this sign have special characteristics important for microwave leakage. When replacing any of these parts use only manufacturers specified parts.



Parts marked with this sign are supplied with high voltage exceeding 250V.

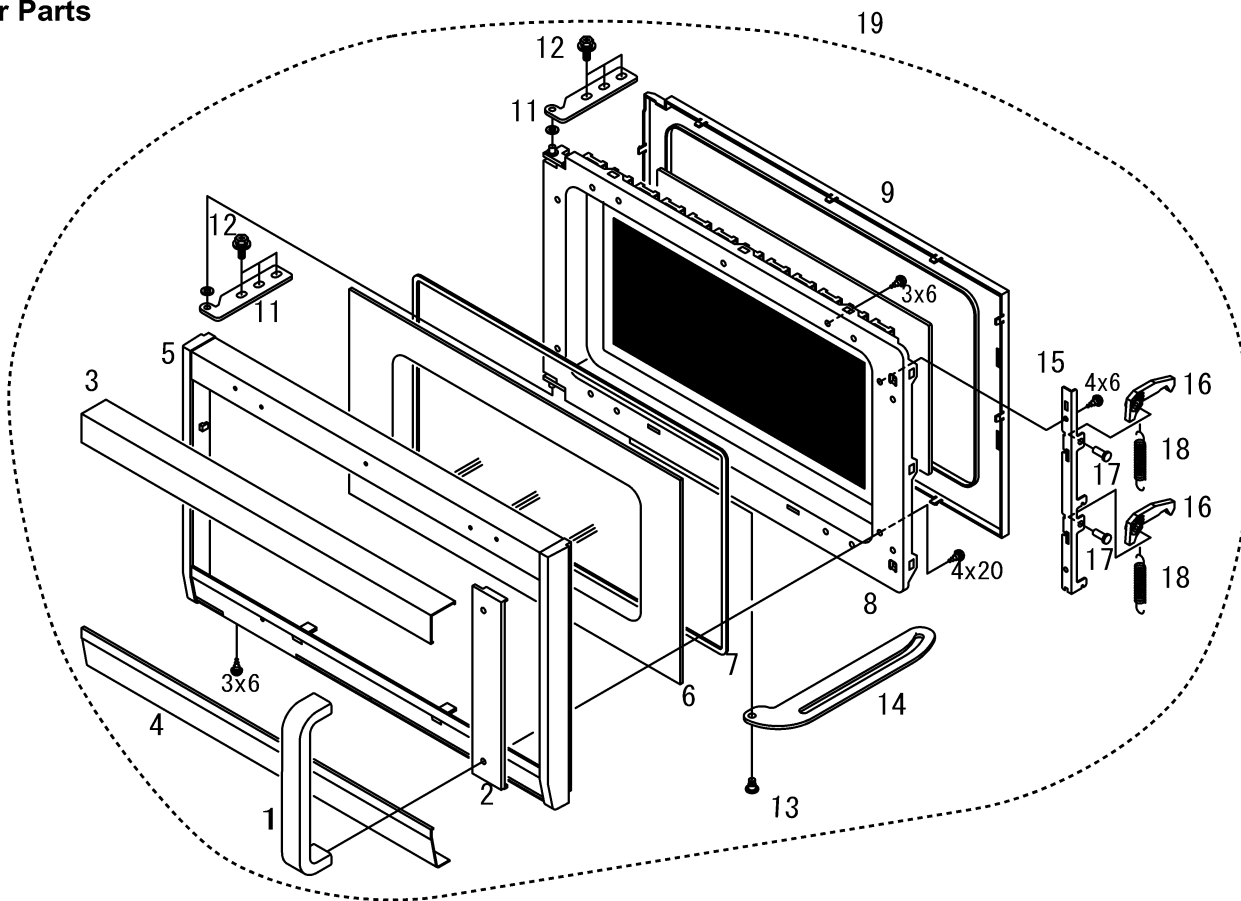


Parts marked with this sign have special characteristics important for microwave leakage. When replacing any of these parts use only manufacturers specified parts.

Main body Parts-2**EM—C1900MSD**

KEY No.	SERVICE PARTS	DESCRIPTION	Q'TY
1	617 196 9245	BLOWER COMP.	2
2	415 003 1709	MAGNETRON 2M282K(M)	2
3	617 214 7628	THERMOSTAT	2
4	617 120 3431	DUCT,MAG.UPPER	1
5	617 120 3448	DUCT,MAG.LOWER	1
6	617 206 8220	CAPACITOR	2
7	617 206 7865	SWITCH BASE ASS'Y	1
8	617 004 5230	MICRO SWITCH,MONITOR	2
9	617 160 0438	MICRO SWITCH,LATCH	2
10	617 004 3724	MICRO SWITCH,DR SENS.	1
11	617 178 1182	LATCH LEVER	1
12	617 178 1175	LATCH LEVER	1
13	617 178 1168	LATCH LEVER	1
14	617 178 1205	SPRING	2
15	617 178 1212	SPRING	1
16	617 187 2217	SPRING	1
17	617 178 1151	LEVER STOPPER	1
18	617 214 6553	HARNESS WITH DIODE	1
19	617 214 4474	HV TRANSFORMER	2
20	617 080 4196	SPECIAL SCREW	6
21	617 242 5399	CLIP	2
22	617 122 6379	GROMET	2
23	617 120 3394	FILTER ASS'Y	1
25	617 080 3830	SPECIAL SCREW	1
26	617 080 5179	SPECIAL WASHER	2
28	617 080 5186	SPECIAL WASHER	1

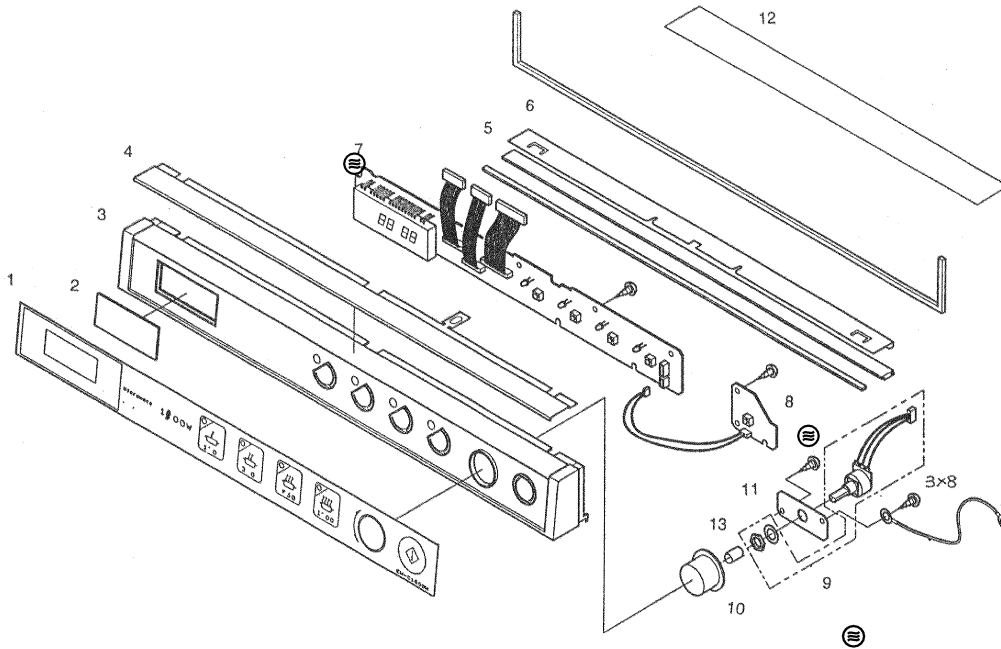
Main body parts-3
Door Parts



EM—C1900MSD

KEY No.	SERVICE PARTS	DESCRIPTION		Q'TY
1	617 201 9697	DOOR HANDLE	AL	1
2	617 201 9680	DOOR BASE	PP	1
3	617 120 3110	ORNAMENT PLATE	UPPER	1
4	617 120 3127	ORNAMENT PLATE	LOWER	1
5	617 226 5605	DOOR COVER	ABS CE10 (T90)	1
6	617 257 2970	DOOR PANEL	GLASS T3.2	1
7	617 121 5489	PACKING		2
8	617 239 6354	DOOR ASS'Y		1
9	617 271 6527	CHOKE DIELECTRIC	PBT D201G20BK	1
11	617 120 3028	HINGE	SPHC T3	2
12	617 102 7495	SPECIAL SCREW	CAP TIGHT SELLATION	6
13	617 080 3847	SPECIAL SCREW	SUS-304 D6	1
14	617 068 3623	DOOR ARM		1
15	617 178 0833	LATCH SUP.	SECC-J T1.0	1
16	617 068 1087	DOOR LATCH	DURACON GF25%	2
17	617 068 3579	ARM PIN	S30C ZK	2
18	617 140 5392	SPRING	SWP-B D1.1	2
19	617 257 3045	DOOR COMP.		1

Main body Parts-4
Control panel Parts



⊜ Parts marked with this sign have special characteristics important for microwave leakage.
 When replacing any of these parts use only manufacturers specified parts.

EM—C1900MSD

KEY No.	SERVICE PARTS	DESCRIPTION	Q'TY
1	617 266 5214	CONTROL PLATE	1
2	617 206 0873	CONTROL PLATE	1
3	617 193 6094	CONTROL BASE	1
4	617 130 9348	ORNAMENT PLATE	1
5	617 073 7616	CAVITY GASKET	1
6	617 073 9672	PACKING COVER	1
7	617 266 5375	P.C.B COMP.	1
8	617 192 5920	P.C.B COMP.	1
9	617 206 9203	SEITCH ASS'Y TIMER	1
10	617 193 6315	KNOB BODY	1
11	617 213 8596	PARTS BASE	1
12	617 208 3377	CONTROL COVER	1
13	617 213 8619	SPACER	1

ACCESARIES

KEY No.	SERVICE PARTS	DESCRIPTION	Q'TY
1	617 197 4416	PARTS BAG COMP.	1
2	617 266 5320	INST.MANUAL	1

Accesaries Item No.1 - No.2 are not illustrated.