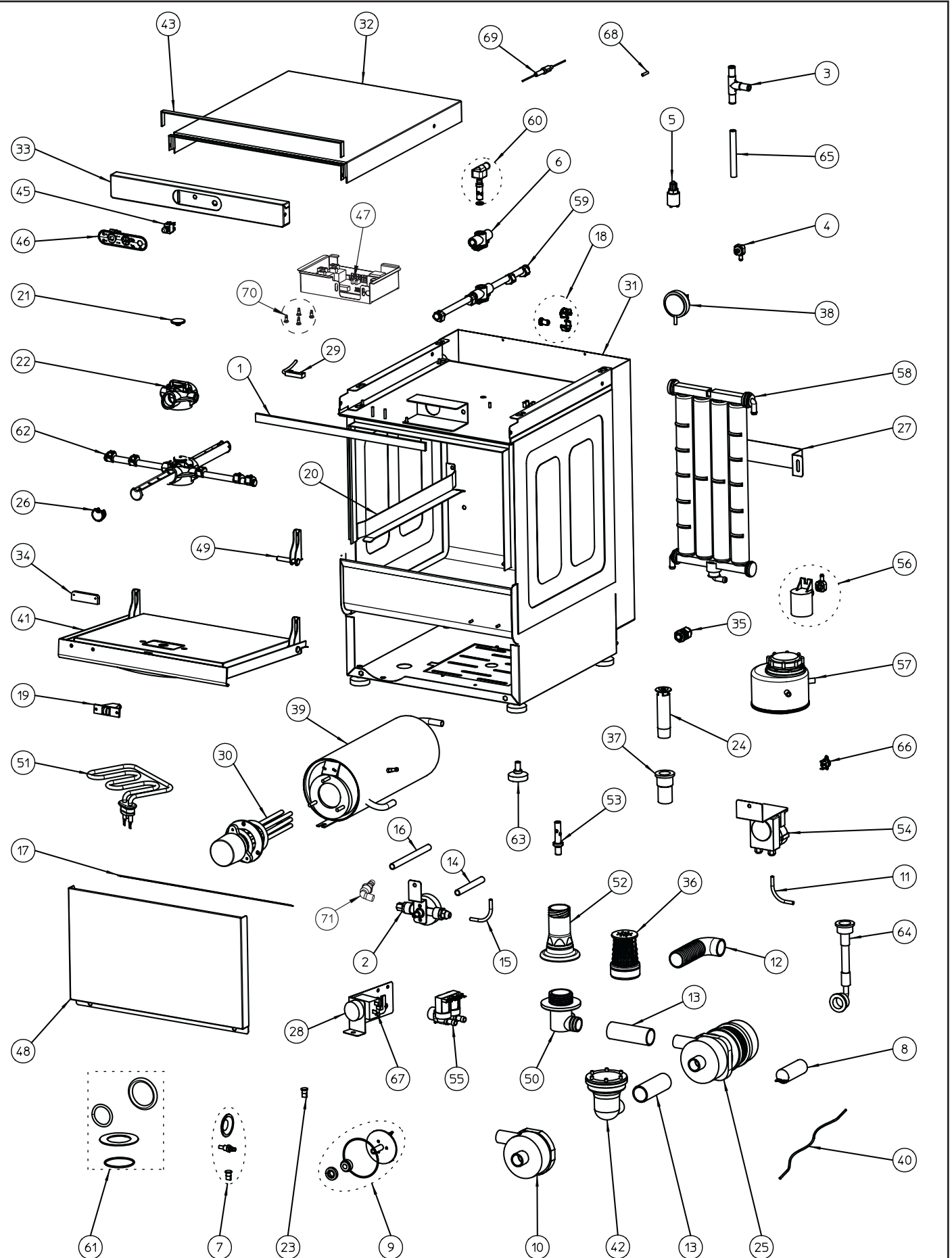


**LAVAVASOS
SL-19D**
**GLASSWASHER
SL-19D**
**LAVE-VERRES
SL-19D**

N.	Denominación	Description	Dénomination	Cod.
1	C. junta puerta	Door gasket set	Ens. joint set	2310062
2	C. dosificador	Dosing set	Ens. doseur	2305055
3	C. conexiones en T	T connection set	Ens. connexion en T	2309583
4	C. racord codo	Elbow racord set	Ens. raccord coude	2313019
5	Filtro dosificador	Doser filter	Filtre doseur	2302842
6	C. distribuidor aclarado	Rinsing water distribuion set	Ens. distributeur rinçage	2313117
7	C. membrana + válvulas dosificador	Dosing membranes + valves set	Ens. membrane + valves doseur	2309086
8	Condensador 5mf	Capacitor 5mf	Condensateur 5mf	4309171
9	C. accesorios motobomba	Motorpump accesorie set	Ens. accessoires motopompe	4309262
10	C. carcasa motobomba	Motorpump body set	Ens. corps motopompe	2309837
11	Tubo silicona	Silicone tube	Tube silicone	4306388
12	Tubo manguera codo desagüe	Draining elbow pipe	Tube durite coude écoulement	2305114
13	Tubo aspiración bomba vaciado	Draining pump intake tube	Tube aspiration pompe vidange	2310294
14	Manguera D10-2460mm	Hose D10-2460mm	Durete flexible D10-2460mm	2310738
15	C. tubos dosificador abrillantador	Rinsing doser tube set	Ens. tube doseur produit de rinçage	2310696
16	Manguera D6-1000mm	Hose D6-1000mm	Durite flexible D6-1000mm	2310739
17	Junta cierre 10 x 4 x 60	Lock gasket 10 x 4 x 60	Joint fermeture 10 x 4 x 60	2313445
18	C. difusores + tapones aclarado	Rinsing dispersers + plugs set	Ens. diffuseurs + bouchon de rinçage	2313125
19	C. cerradura puerta	Door lock set	Ens. serrure de porte	2309122
20	Carril cesta	Basket guide	Guide panier	2313032
21	C. tornillo hélice M8	M-8 spiral screw set	Ens. vis tourniquete M-8	2309077
22	C. cruceta	Crosshead set	Ens. corps	2313211
23	C. válvulas dosificador	Dosing valves set	Ens. valves doseur	2309085
24	Rebosadero	Drain plug	Bloqueur d'eau	2313977
25	Motobomba 0.10Hp 230V	Motorpump 0.10Hp 230V	Motopompe 0.10Hp 230V	4301828
26	C. tapones lavado (4u)	Washing plugs set (4)	Ens. bouchons lavage (4)	2313126
27	Soporte descalcificador	Water softener holder	Support adoucisseur	2312741
28	C. mandos termostato	Thermostat knobs set	Ens. commandes thermostat	2309065
29	C. interruptor magnético	Magnetic switch set	Ens. interrupteur magnétique	2050705
30	C. resistencia calderín 2.800W	Boiler element set 2.800W	Ens. resistance chaudiere 2.800KW	2319070
31	Tapa trasera	Back cover	Panneau arrière	2312736
32	Tapa superior	Top cover	Panneau supérieur	2312735
33	C. panel de mandos	Keyboard set	Ens. panneau commandes	2312731
34	Iman puerta	Door magnet	Aiman porte	2310470
35	Prensaestopas M16 x 1.5	Stuffing box M16 x 1.5	Presse-étoupes M16 x 1.5	2052260
36	Filtro aspiración	Intake filter	Filtre d'aspiration	2313128
37	C. casquillo rebosadero	Drain plug threaded set	Ens. bague pour bloqueur	2309654
38	Presostato	Pressurestat	Pressostat	2302815
39	C. calderín	Boiler set	Ens. chaudiere	2313021
40	Cableado	Electric wiring	Câblage	2312755
41	C. puerta completa	Door set	Ens. porte complete	2313015
42	C. colector vaciado	Draining collector set	Collecteur de vidange	2310692
43	Junta cierre panel	Control panel locking joint set	Joint fermeture panneau supérieur	2313442
44	Filtro supresión interferencias serie	Interference filter	Filtre interferences	2310793
45	Interruptor general	Main switch	Interrupteur general	2312696
46	Teclado	Keyboard	Clavier commandes	2312756
47	Placa base	Print set (base)	Plaque base	2312714
48	Tapa frontal	Front cover	Panneau frontal	2313028
49	C. bisagras puerta	Door hinges set	Ens. charniere porte	2313134
50	C. acop lador inferior	Bottom coupling set	Ens. accouplement inférieur	2313129
51	Resistencia cuba 1500W 230V	Tank element 1500W 230V	Resistance cuve 1500W	2313119
52	Torreta 105	Turret 105	Tourrette 105	2313151
53	Eje torreta	Turret shaft	Axe tourrette	2313219
54	C. dosificador detergente	Detergent dosing set	Ens. dosseur détergent	2310429
55	Electroválvula 2 vías	Electrovalve 2v	Electrovanne 2v	8100265
56	C. campana presostato	Pressurestat bowl set	Ens. cloch pressostat	2313131
57	Deposito de sal pequeño	Small salt container	Petit container de sel	2313477
58	Descalcificador de 4 tubos	4tubes water softener	Adoucisseur de 4 tubes	2313484
59	C. tubos de aclarado	Rinsing tubes set	Ens. tubes rinçage	2313224
60	C. acoplador superior aclarado	Rinsing top coupling set	Ens. accouplement supérieur rinçage	2313127
61	C. juntas acoplamiento+calderín+ filtro	Boiler+filter+coupling joints set	Ens. joints accouplem.+chaudière+filtre	2313130
62	C. tubos difusores	Dispersers tubes set	Ens. tubes diffuseur rinçage	2313223
63	C. pies de goma	Rubber feet set	Ens. pieds caoutchouc	2309017
64	C. manguera entrada agua	Water entry tube set	Ens. durite entrée d'eau	2309745
65	Manguera D12-2460mm	Hose D12-2460mm	Durite flexible D12-2460mm	2310737
66	C. termostato cuba	Tank thermostat set	Ens. thermostat cuve	2309043
67	C. termostato aclarado	Rinsing thermostat set	Ens. thermostat rinçage	2309068
68a	C. fusible 5x20 3A	Fuse set	Ens. fusible	2312876
68b	C. fusible 5x20 0.63A	Fuse set	Ens. fusible	2312877
69	Portafusible aéreo	Flying fuse holder	Portefusible aérié	2140280
70	C. separador PCB placa base	Base plate PCB separator set	Ens. séparation plaque base PCB	2313676
71	C. codod m/h 1/8 dosificador	Elbow set m/f 1/8" doser	Ens. coude m/h 1/8 doseur	2310109

SL-19D



Nota: Todas estas especificaciones están sujetas a cambio sin previo aviso, debido a la permanente mejora del producto.
 Note: These specifications are subject to change without prior notice due to continuous product improvement.
 Note: Toutes ces spécifications peuvent être modifiées sans préavis dû à une permanente amélioration du produit.